

Newsletter

July

2001

autodesk
authorized reseller

www.autodes.com

Automated Design Systems
an Avalanche Networks
Corporation company

CDNX: AVH

Barrie

(705) 739-1818

Belleville

(613) 967-3694

Burlington

(905) 681-6760

Cambridge

(519) 651-1600

Kingston

(613) 546-6710

London

(519) 652-3825

Mississauga

(905) 565-8000

Richmond Hill

(905) 889-6662

Oshawa

(905) 404-1498

Ottawa

(613) 225-1717

St. Catharines

(905) 687-3931

Stoney Creek

(905) 662-5413

Sudbury

(705) 677-4428

Vancouver

(604) 647-2220

Windsor

(519) 972-8788

AutoCAD 2000

Mechanical Desktop®

Autodesk Inventor™

Architectural Desktop

Land Development Desktop

AutoCAD® Map

3D Studio MAX® / VIZ®

Note: Not all products are available from all offices.

Automated Design Systems AutoCAD® 2002 NEWSLETTER

Serving AutoCAD users for 13 Years 1988 - 2001

NEWSLETTER DISTRIBUTION OPTIONS:

Please **email** this newsletter to me. Name: _____ Email address: _____

Please **fax** this newsletter to _____ in addition to me instead of _____ Fax: _____

Please **mail** this newsletter to me instead of faxing. Name: _____ Address: _____

Please include the **mechanical parts design page** when you send the newsletter to me. Name: _____

Please include the **quarterly architectural/civil page** when you send the newsletter to me. Name: _____

Please **do not send** this newsletter to _____.

Please fax this sheet to (905) 662-4842 to have these changes made to our newsletter distribution list.

CDNX:AVH

Last October, we announced that Automated Design Systems' parent company, Avalanche Networks Corporation, became publicly traded on the Canadian Venture Exchange (CDNX - symbol AVH).

As of July 1, we embark on a new stage of our growth, as I have been given full operational control of that parent company.

With the support of the new Board of Directors, I have already implemented substantial changes to Avalanche's operations to improve its cash flow and streamline Avalanche's focus specifically to provide CAD and web-based technologies for the design community.

Automated Design Systems, which has been a stable part of the AutoCAD world since 1988, will continue to offer the range of AutoCAD and Autodesk Inventor solutions. Avalanche Networks' staff will focus on implementing the technical elements of our PartsDome initiative (www.partsdome.com), which allows designers and manufacturers to display 3D content over database-driven web sites that are optimized for 'findability' within search engines.

If you haven't checked out PartsDome, you really should. You'll be amazed what you can do with the 3D design data that you are already creating!

For more information on the Canadian Venture Exchange visit www.cdnx.com. For more information on Avalanche Networks, visit www.avalanchenetworks.com. The trading symbol for Avalanche Networks is AVH.

Bruce Lamb, President

AutoCAD R14 Upgrades: Price Increase August 1

When AutoCAD R14 was released in 1997, it fast became Autodesk's most successful release. But R14 will soon be a non-upgradeable and non-supported Autodesk product. **Specifically, after January 15, 2002, you won't be able to upgrade your AutoCAD R14 licenses.**

However, as the roughly 500 people who came out to our AutoCAD 2002 seminars last month learned, the best upgrade product may NOT be AutoCAD 2002 -- but, rather, one of the flavours of AutoCAD 2002 such as:

AutoCAD Mechanical R6: Powerful tools for performing '2D hides', screw connections, balloons and bills-of-materials, and even 2D FEA!

Mechanical Desktop R6: Get both a powerful 3D parametric solid and assembly modeler plus the power of AutoCAD 2002 and AutoCAD Mechanical all in one package.

Autodesk Inventor R4: If you are creating very large 3D assemblies or want to see how your products work in 3D, you need to check out the incredible power and ease-of-use of Inventor!

Architectural Desktop R3.3: Insert walls, doors, windows, fixtures, stairs, schedules and dimensions in a snap, and show your customers their buildings quickly in full 3D! *The AutoCAD for architects!*

Land Development Desktop R3 / AutoCAD Map R5: For those involved in civil engineering or GIS, these products should be on everyone's desk!

There will be a price increase on AutoCAD 2002 upgrades of roughly \$100 U.S. on August 1, so speak with your Automated Design Systems rep about upgrading today!

Quote of the month:

"Don't take life too seriously...
...you'll never get out alive."
- Bugs Bunny

Océ Engineering Plotters

High-Speed, Digital Copying, Printing and Scanning

If you plot more than 15 D-sized drawings per day, you should investigate the cost-effective high-speed solutions from Océ.

For example, the Océ 9400-II is an invaluable tool for large engineering workgroups and copy shops. This all-in-one, multifunctional device lets you scan, print and copy technical drawings, as you need them.



Offering professional-level performance for an exceptionally low price, the Océ 9400-II has become the number-one choice for today's fast-paced office.

- Powerful new controller processes and prints complex files at up to 2 E-size pages per minute, increasing productivity within workgroups and print rooms
- Full multifunctionality with the optional scanner and scan-to-file software at a very competitive price equals time and cost savings
- Océ Image Logic technology produces consistently superb prints, raising the quality of your work
- User-friendly design and modular concept makes for an easy fit and allows for smooth upgrade path
- Multi-print jobs and distribution sets can be completed in a fraction of the normal time for further savings.

If you are looking for an engineering plotter solution, ask your Automated Design Systems representative about the most appropriate Océ product for your application.

**Do it better... faster...
with training from
Automated Design Systems**

AutoCAD 2002 Update Training

AutoCAD 2002 is now shipping.
How can you take advantage of the new features
and become more productive?

Register for an AutoCAD 2002 Update training course at
your local A.D.S. office.

Barrie	(705) 739-1818	Ottawa	(613) 225-1717
Belleville	(613) 967-3694	Richmond Hill	(905) 889-6662
Burlington	(905) 681-6760	Stoney Creek	(905) 662-5413
Cambridge	(519) 651-1600	Sudbury	(705) 677-4428
London	(519) 652-3825	Vancouver	(604) 647-2220
Mississauga	(905) 565-8000	Windsor	(519) 972-8788

autocad 2002 tips!

Enhanced Attribute Extraction

Anyone who has tried to do attribute extraction from AutoCAD before – e.g. for creating a listing of all of the parts in your drawing – can tell you that the attribute extraction capabilities were not exactly user friendly. Until now! AutoCAD 2002's Enhanced Attribute Extract tool allows the easy extraction of block attribute data to comma-separated text (CSV), Microsoft® Excel (XLS), and Microsoft Access (MDB) formats.

The Enhanced Attribute Extract tool is a wizard that guides you through the process of attribute extraction:

The **Select Drawing** dialog box determines the source of the attribute data. It allows you to create a selection set of entities from the current drawing, select all blocks in the current drawing, or select multiple drawings.

The **Settings** dialog box allows you to include external reference files (xrefs) and nested blocks in your search.

The **Use Template** dialog box allows selection of a template file. Template files store information regarding attributes and blocks included in the output.

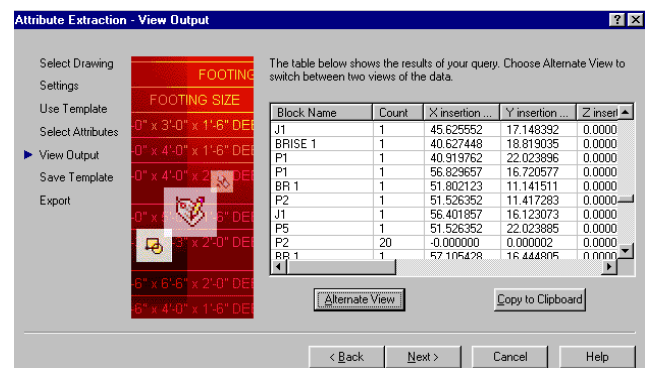
The **Select Attributes** dialog box consists of two sections:

The **Blocks** list shows the blocks in the selected drawing. The Alias column allows a name to be assigned to each block. The Number column shows the number of occurrences of each block.

The **Attributes** list shows the attributes corresponding to the block selected, along with their values. The Alias column allows a name to be assigned to each attribute.

These selections can be saved to a template file.

The **View Output** dialog box displays the results of the extraction. The Alternate View button lets you see a different (and often more relevant) presentation of the output.



The **Export** dialog box allows you to export the extracted data set to a comma-separated text file (CSV). If you have Microsoft Excel or Microsoft Access installed on your computer, you can also export the extracted data set to XLS (Excel) or MDB (Access) formats.

Solid Machinist for Inventor

EdgeCAM is the first and only fully integrated CAM product for Autodesk Inventor™. By loading Inventor parts exactly as they were created, Solid Machinist generates machining strategies using all of the information contained in the original design. Based on the EdgeCAM Solid Machinist system, EdgeCAM for Inventor benefits from some impressive technology, including Automatic Feature Recognition, Technology Assistant, full associativity and Code Wizard.

EdgeCAM is the perfect partner for Autodesk Inventor. EdgeCAM Solid Machinist allows the user to open Inventor parts directly into EdgeCAM with no risk of data loss or corruption. Once inside EdgeCAM, an Inventor part can be machined with ease using one of the industry's leading CAM solutions.

For more information on EdgeCam and other CNC solutions for Autodesk products, visit www.autodesk.com/cnc.

Partsdome.com: Show your stuff

Take your designs from the back office to the board room by leveraging your designs for sales and marketing purposes. Ultimately, a substantial part of most company owners and presidents job is selling the big sale – and your designs can help. PartsDome.com sites let you market your products and designs in the following ways:

- **Let people see your designs in 3D over the web – and show them how your products work!** A perfect example is Emco Wheaton's Dry-Break product line. Try it out at www.partsdome.com/emcowheaton/dept.asp?dept_id=1000
- **Partsdome makes your site 'findable' on the web.** Try it: Search for "roof drain" at Netscape.com and our client, **Thaler Metal Industries**, will come up first!
- **Partsdome database-driven sites let you keep your site current.** You can change any of the content on your site, be it products, graphics or text copy. If you can type, you can manage your site.

In the case of all of our sites, the company owner or president is key in the decision making process. But showing the designs is key to the implementation. So talk to your Automated Design Systems rep about how you can take your designs from the back office to the front page!

Mechanical Desktop 5 SP 4

Autodesk has released Mechanical Desktop 5's service pack 4. It is required that you have service pack 3 installed before installing service pack 4.

You can download this service pack from the following address: <http://support.autodesk.com/ViewDownload.asp>

Inventor 4.0 Tips

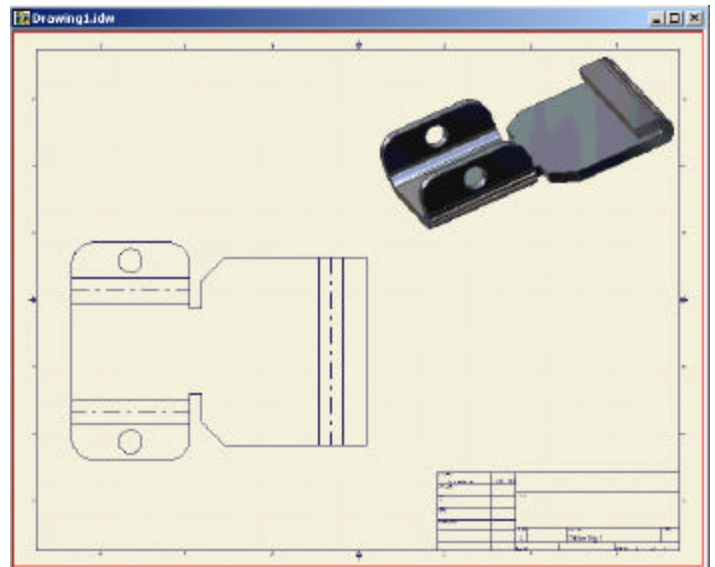
Creating Sheet Metal Parts *Quickly*

There are two ways to create sheet metal parts within Autodesk Inventor. One way is to create a part and then convert it to sheet metal. The other way is to create it in the sheet metal environment using optimized tools.

For manufacturing purposes, details like bend radii and relief sizes are usually the same throughout the part. In a sheet metal part, you enter the values for these details and then the software applies them as you are designing so that, for example, when you create a flange you don't have to add the bend manually.

To create a sheet metal part, click File>New and then select the sheet metal template. Use sketch tools to create the profile, then click the arrow on the tool palette and select Sheet Metal.

Specifying a part as sheet metal enables the Sheet Metal toolbar and adds sheet metal styles to the parameters list. These styles define the default material and set bend and corner parameters. You can save these styles as templates. For example, you can create templates for each material and thickness that you work with. And applying part-specific modifications to that standard is as simple as modifying the parameters listing within the Parameters dialog box.



Options for sheet metal part creation include the ability to create flanges, bends, reliefs, hems, seams, corner seams, corner rounds and chamfers and contour flanges.

When your sheet metal part is finished, you can create the flat pattern in an instant with the Flat Pattern button in the Sheet Metal palette menu. And if you change a dimension on the part, the flat pattern will automatically update!

If you create sheet metal parts, you should look at the powerful features within Autodesk Inventor to improve your design productivity!

Do it Better... Faster...

with AutoCAD training from Automated Design Systems

Automated Design Systems runs AutoCAD training regularly from all of our offices. Here is a summary of courses that are scheduled in our offices in the coming weeks. Dates are subject to change without notice, so please contact your rep to reserve your seat as soon as possible.

Barrie Call Jim Clubine at (705) 739-1818

Course	Dates	Price
AutoCAD 2002 Update from R14	July 9 - 10	\$695
AutoCAD 2000 Advanced	July 11 - 12	\$795
Architectural Desktop Fundamentals	July 16 - 18	\$1,095
AutoCAD 2000 3D Modeling	July 23 - 25	\$1,095
AutoCAD Map Fundamentals	July 30 - Aug 1	\$1,095
AutoCAD 2002 Update (Condensed)	Aug 2	\$395
AutoCAD LT Fundamentals	Aug 7 - 9	\$795

Belleville Call Nick Nowitski at (613) 967-3694

Course	Dates	Price
AutoCAD Fundamentals	July 9 - 13	\$1,095
AutoCAD 2000 Advanced	July 16 - 17	\$795
AutoCAD 2002 Update from R14	July 18 - 19	\$695
AutoCAD 2002 Update (Condensed)	July 20	\$395
Mechanical Desktop Fundamentals	July 23 - 27	\$1,395
Architectural Desktop Fundamentals	July 30 - Aug 1	\$1,095
3D StudioViz	Aug 7 - 9	\$1,095

Cambridge Call Mirek Niedzialkowski at (519) 651-1600

Course	Dates	Price
Autodesk Inventor	July 11 - 13	\$1,095
AutoCAD 2002 Update from R14	July 16 - 17	\$695
AutoCAD 2000 Advanced	July 18 - 19	\$795
Mechanical Desktop Fundamentals	July 23 - 27	\$1,395
AutoCAD Customization	July 30 - 31	\$795
Architectural Desktop Fundamentals	Aug 1 - 3	\$1,095
AutoCAD 2002 Update (Condensed)	Aug 7	\$395

London Call Laura Minogue at (519) 652-3825

Course	Dates	Price
AutoCAD Fundamentals	July 9 - 13	\$1,095
Mechanical Desktop Fundamentals	July 16 - 20	\$1,395
Autodesk Inventor	July 23 - 25	\$1,095
AutoCAD Customization	July 26 - 27	\$795
AutoCAD 2000 3D Modeling	July 30 - Aug 1	\$1,095
AutoCAD 2002 Update from R14	Aug 2 - 3	\$695
AutoCAD 2002 Update (Condensed)	Aug 7	\$395

Mississauga Call Matt Willcocks at (905) 565-8000

Course	Dates	Price
Architectural Desktop Fundamentals	July 11 - 13	\$1,095
AutoCAD 2002 Update from R14	July 16 - 17	\$695
AutoCAD Map Fundamentals	July 18 - 20	\$1,095
Autodesk Inventor	July 23 - 25	\$1,095
AutoCAD 2000 Advanced	July 26 - 27	\$795
AutoCAD 2002 Update (Condensed)	July 30	\$395
AutoCAD 2000 3D Modeling	Aug 1 - 3	\$1,095

Ottawa Call Steve McCarthy at (613) 225-1717

Course	Dates	Price
AutoCAD Fundamentals	July 9 - 13	\$1,095
Autodesk Inventor	July 16 - 18	\$1,095
AutoCAD 2002 Update (Condensed)	July 23	\$395
AutoCAD 2002 Update from R14	July 24 - 25	\$695
3D StudioViz	July 30 - Aug 1	\$1,095
AutoCAD Customization	Aug 7 - 9	\$795
Mechanical Desktop Fundamentals	Aug 13 - 17	\$1,395

Richmond Hill Call Jesse Higgs at (905) 889-6662

Course	Dates	Price
Mechanical Desktop Fundamentals	July 9 - 13	\$1,395
Autodesk Inventor	July 16 - 18	\$1,095
AutoCAD 2002 Update from R14	July 19 - 20	\$695
AutoCAD 2000 3D Modeling	July 23 - 25	\$1,095
AutoCAD Fundamentals	July 30 - Aug 3	\$1,095
AutoCAD 2000 Advanced	Aug 7 - 8	\$795
AutoCAD 2002 Update (Condensed)	Aug 9	\$395

Stoney Creek Call Phillip Morais at (905) 662-5413

Course	Dates	Price
AutoCAD 2002 Update from R14	July 16 - 17	\$695
Autodesk Inventor	July 18 - 20	\$1,095
AutoCAD Fundamentals	July 23 - 27	\$1,095
AutoCAD 2000 Advanced	July 30 - 31	\$795
AutoCAD 2002 Update (Condensed)	Aug 1	\$395
AutoCAD Customization	Aug 2 - 3	\$795
AutoCAD 2000 3D Modeling	Aug 7 - 9	\$1,095
Architectural Desktop Fundamentals	Aug 13 - 15	\$1,095

Sudbury Call Costa Aza at (705) 677-4428

Course	Dates	Price
AutoCAD Fundamentals	July 9 - 13	\$1,095
Autodesk Inventor	July 16 - 18	\$1,095
AutoCAD 2000 Advanced	July 19 - 20	\$795
Architectural Desktop Fundamentals	July 23 - 25	\$1,095
AutoCAD 2002 Update from R14	July 26 - 27	\$695
AutoCAD 2002 Update (Condensed)	July 30	\$395

Vancouver Call Byron Studer at (604) 647-2220

Course	Dates	Price
AutoCAD Map Fundamentals	July 16 - 18	\$1,095
AutoCAD 2000 Advanced	July 19 - 20	\$795
AutoCAD 2002 Update from R14	July 23 - 24	\$695
Architectural Desktop Fundamentals	July 25 - 27	\$1,095
AutoCAD 2002 Update (Condensed)	July 30	\$395

Windsor Call Reynaldo Faraon at (519) 972-8788

Course	Dates	Price
AutoCAD Fundamentals	July 9 - 13	\$1,095
AutoCAD 2002 Update from R14	July 16 - 17	\$695
Autodesk Inventor	July 18 - 20	\$1,095
AutoCAD 2000 Advanced	July 23 - 24	\$795
3D StudioViz	July 25 - 27	\$1,095
AutoCAD 2002 Update (Condensed)	July 30	\$395
AutoCAD 2000 3D Modeling	July 31 - Aug 2	\$1,095